

DIE CUT SHAPES

#21AA
1/2 x 1/4
13 x 6 mm

#66AA
1 1/4 x 5/8
32 x 16 mm

#16AA
1 1/2 x 1/2
38 x 13 mm

#17A
1 11/16 x 5/8
43 x 16 mm

#3 A
1 5/16 x 11/16
33 x 17mm

#30A
7/8 x 7/8
22 x 22 mm

#2 A
1 1/2 x 13/16
38 x 20mm

#115AA
.72" x .63"
18 x 16 mm
NEW!

#65B
2 1/16 x 1 1/8
52 x 28 mm

#102AA
3/4 x 1/2
19 x 13 mm

#114AA
1 x 1/4
25mm x 6mm

#41AA 1 3/4 x 5/16
44 x 8 mm

NEW!

#112C
2 "x 2"
51 x 51 mm
NEW!

#45A
2 1/4 x 5/8
57 x 16 mm
SQ. or RD. corners

#18A
1 3/8 x 1
35 x 25 mm

#31A
1 9/16 x 1 1/4
40 x 32 mm

#9A
1 13/16 x 1
46 x 25mm

#47B
2 1/4 x 1
57 x 25 mm

#116B
2 1/2" x 1"
63x 25 mm
NEW!

#94B
4 x 5/8
102 x 16mm

#32B
3 x 1
76 x 25 mm

#70C
4 x 1
102 x 25 mm

#6B
1 13/16 x 1 3/8
46 x 35 mm

#56B
2 1/8 x 1 3/8
54 x 35 mm

#104B
2 x 1 1/2
51 x 38 mm

#48B
1 1/2 x 1 1/2
38 x 38 mm

#111C
2 1/2" x 1 1/2"
63 x 38 mm
NEW!

#64C
2 3/4 x 1 1/2
70 x 38 mm

#34D
3 x 2
76 x 51 mm

#33D
3 x 1 1/2
76 x 38 mm
Square or Round corners

#113D
3 1/4" x 1 3/4"
63 x 38 mm
NEW!

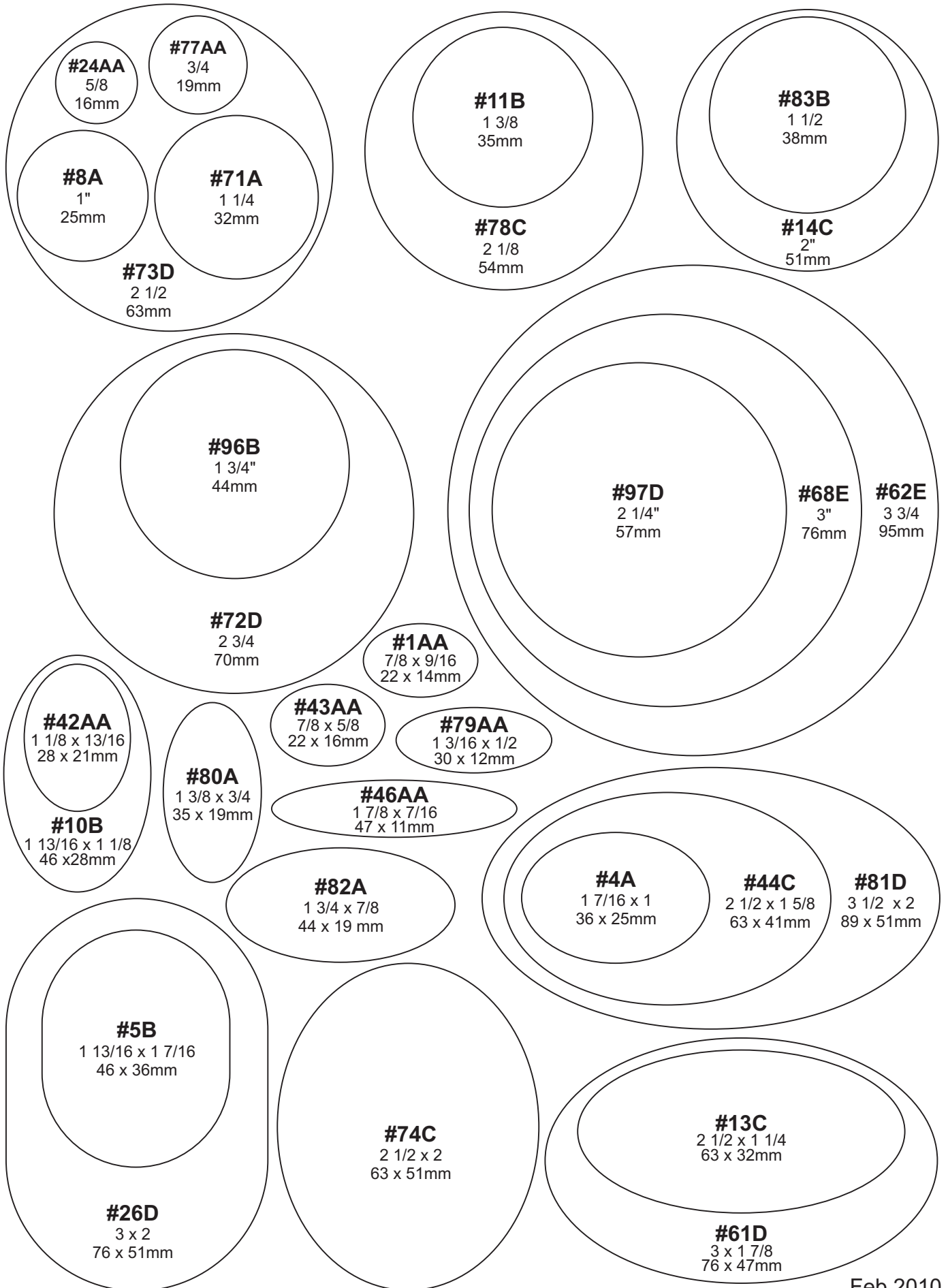
#49E
3 1/2 x 3 1/2
89 x 89 mm

#95E
4 x 2
102 x 51mm

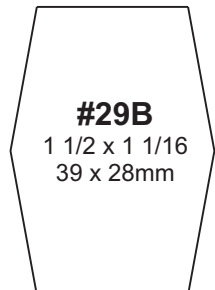
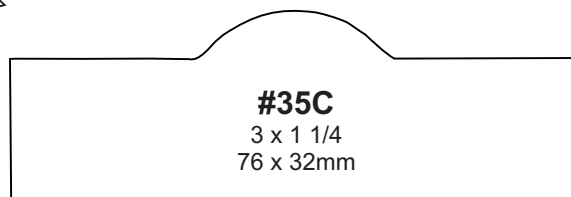
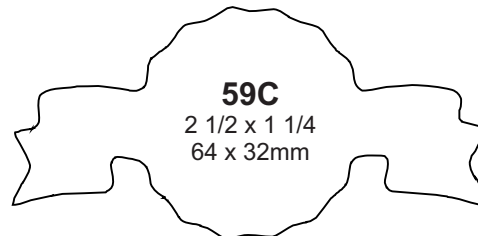
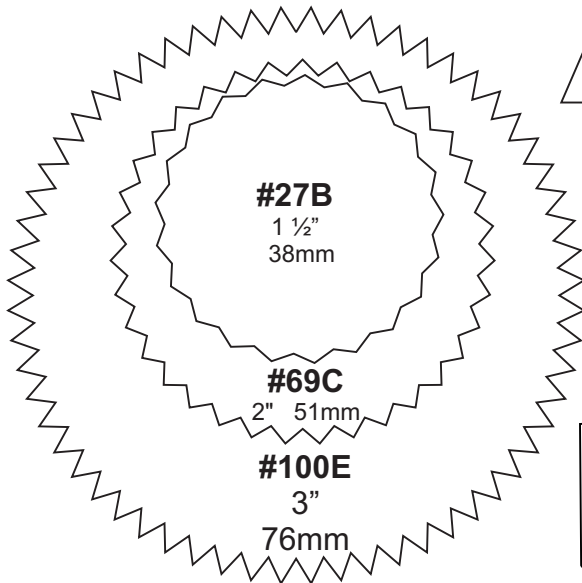
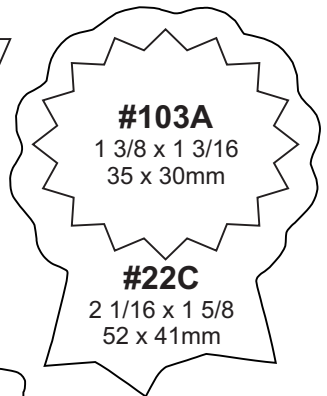
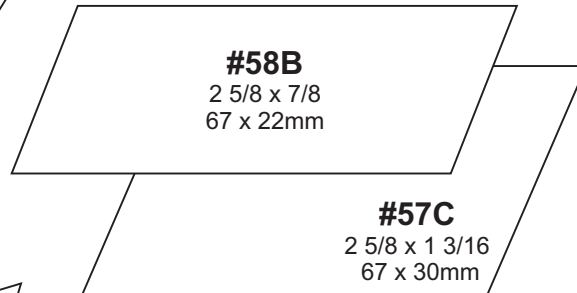
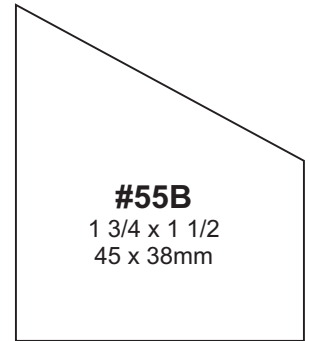
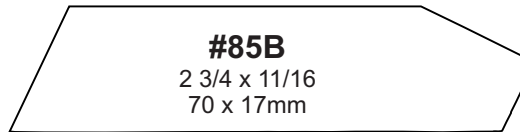
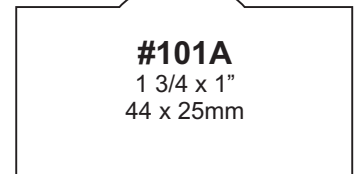
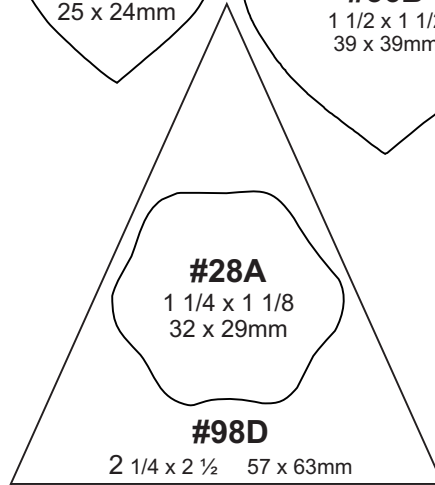
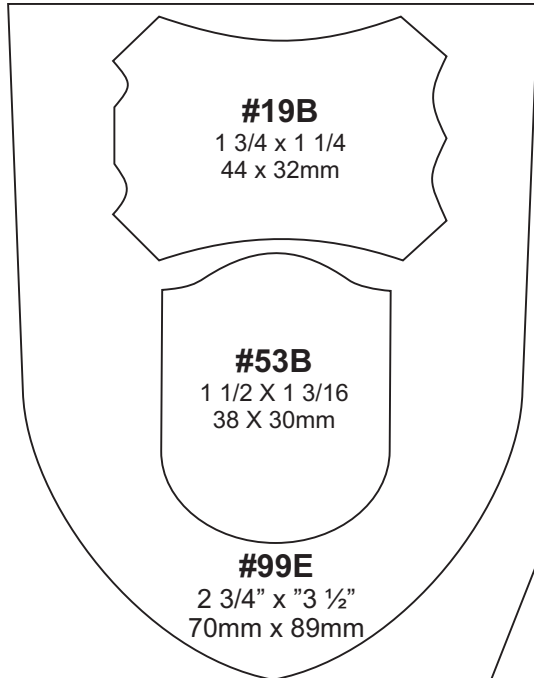
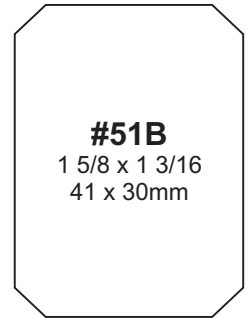
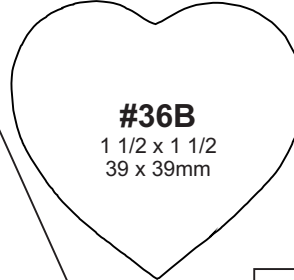
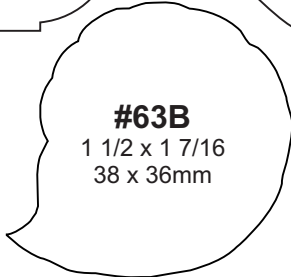
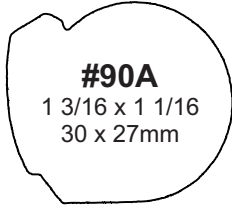
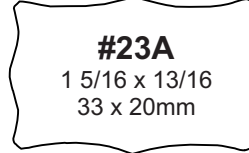
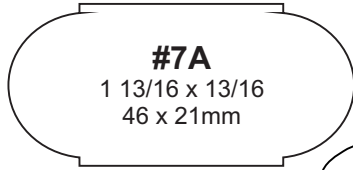
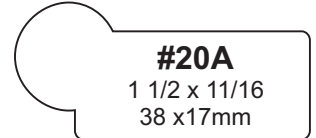
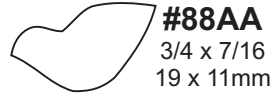
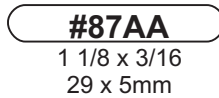
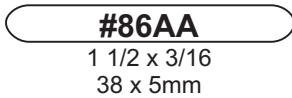
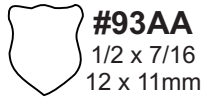
76E
4 x 3 1/2
102 x 89 mm

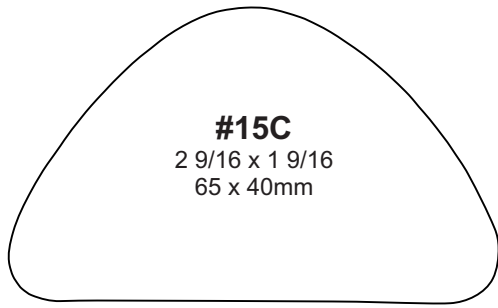
#108E
4 1/4 x 3 7/8
108 x 98 mm

DIE CUT SHAPES

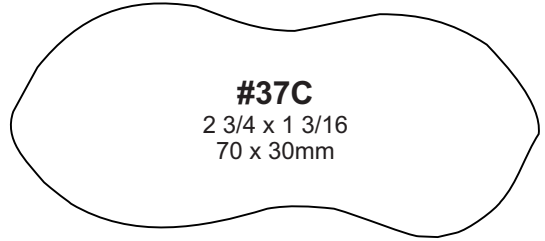


DIE CUT SHAPES

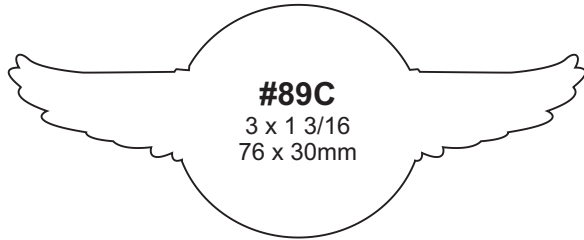




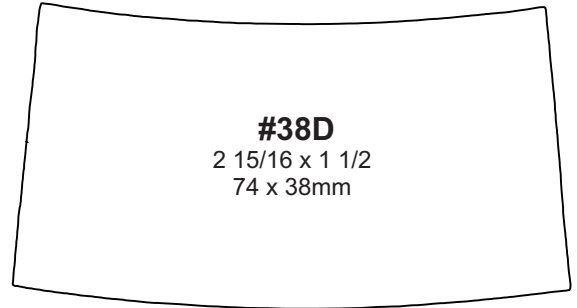
#15C
2 9/16 x 1 9/16
65 x 40mm



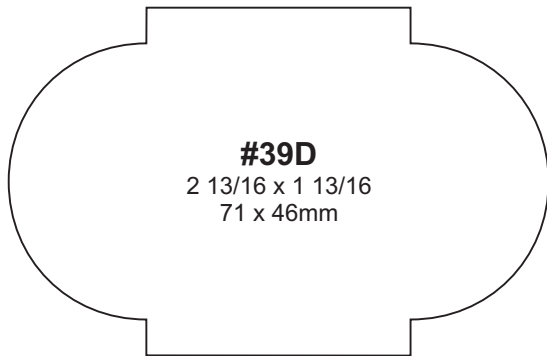
#37C
2 3/4 x 1 3/16
70 x 30mm



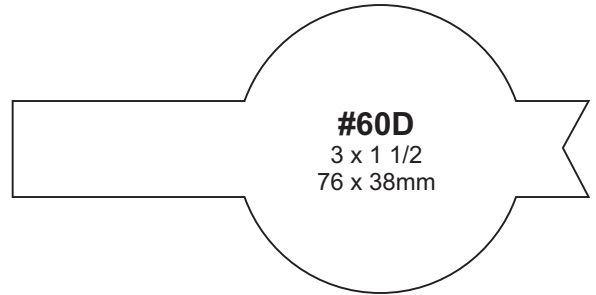
#89C
3 x 1 3/16
76 x 30mm



#38D
2 15/16 x 1 1/2
74 x 38mm



#39D
2 13/16 x 1 13/16
71 x 46mm



#60D
3 x 1 1/2
76 x 38mm

BUTT CUT SIZES
 AA-size: up to 1 sq."
 A-size : up to 2 sq."
 B-size : up to 3 1/2 sq."
 C-size : up to 4 1/4 sq."
 D-size : up to 7 1/2 sq."
 E-size : up to 20 1/4 sq."

typical increments:

↑	max	
	4 1/2"	114 mm
	4"	102mm
	3 1/4"	83mm
	2 3/4"	70mm
	2 1/4"	57mm
	2"	51mm
	1 3/4"	44mm
	1 1/2"	38mm
	1.0"	25mm
↓	min.	

Variable from 1/2" to 4 1/2"
(13 to 114 mm)

